

## Cascade counter-top boiler

Award winning counter-top boiler most frequently used in the café/restaurant/pub environment but suitable for all medium volume applications, representing excellent value for money.

One Model: 9 litre draw-off (30 litres per hour).

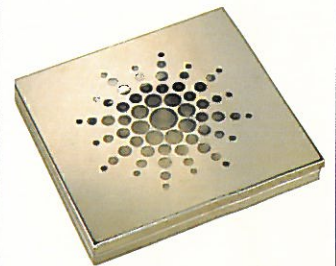
\* Integral scale-inhibitor technology



- Self-diagnostic service indicator
- Mirror stainless steel or white finish
- Cool-to-touch casing
- No steam emissions
- 13A plug fitted

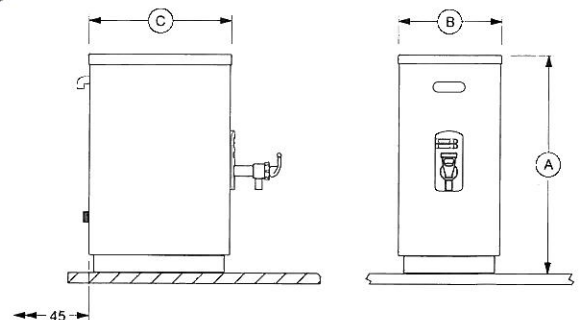
### Optional

Stainless Steel Drip Tray



- Order Code HSSDTK - for surface mounting
- Order Code HSSDTWDK - complete with drain connection

Model	Dimensions (mm)			Weight (Kg)	
	A	B	C	Dry	Working
Cascade	535	240	360	12	29



Model	Order Code		kW Rating	Capacity of Boiling Water					
	Stainless Steel	White		Initial Draw-off Capacity			Max. Hourly Output		
				Litres	Cups (160ml)	Mugs (250ml)	Litres	Cups (160ml)	Mugs (250ml)
Cascade	CAS-SS	CAS-W	3	9	56	36	30	187	120

All dimensions are in mm. Electrical rating based upon 240v, single phase, 50Hz supply unless otherwise stated.

Care has been taken over the information contained on this leaflet but it is not intended as a definitive specification and in the interests of the company's policy of product improvement and development, the right is reserved to make changes at any time.

**Calomax Limited**  
Lupton Avenue, Leeds,  
West Yorkshire LS9 7DD  
Tel: 0113 249 6681  
Fax: 0113 235 0358

www.calomax.co.uk  
e-mail: sales@calomax.co.uk

Registered in England No. 2617748

YOUR CALOMAX DISTRIBUTOR