



Item #: \_\_\_\_\_  
 Model: S286, S286T  
 Product Name: 36" Starfire Sentry Series  
 Gas Range



Model S286

**Specification:**

Gas medium duty range with full size oven 36" (914mm) wide (6) open top Starfire burners with extra heavy duty cast iron tops and ring grates. Stainless steel 10" (254mm) high back guard with slotted black enameled cap. Available with optional hot top(s) and griddle. Available with convection oven base. Modular range top, Model S286T, also available.



NOTE: CE certification applies only to models with prefix "T" -see Optional Features

**Standard Features:**

- Flame failure and spark ignition on all concealed burners
- Extra heavy duty cast iron tops and ring grates
- Stainless steel exterior
- 24,000 BTU/7.03 kW (natural gas) Starfire burners (4) or 20,000 BTU/5.86 kW (propane gas) Starfire burners
- 30,000 BTU/8.79 kW race track even heat oven burner
- Heavy duty "FDO" oven thermostat accurate to ±10°F (±5°C) temperature range 150°-500° (66°C-260°C)
- Large standard oven; fully porcelain interior which includes oven bottom, top, rear, embossed sides, and inside door liner.
- Removable nickel plated four position oven rack guides
- Nickel plated oven rack, (one per oven)
- 10" (254mm) high stainless steel back guard with slotted black enameled angled cap
- 6" (152mm) high stainless steel legs - adjustable
- Gas regulator
- No visible screw fixings
- One year limited warranty on parts & labor (USA & Canada only)

**Optional Features:**

- Convection oven base, (add suffix -RC)
- Heavy duty 5/8" (16mm) griddle plates available in the following widths - 12" (305mm) 24" (610mm), & 36" (914mm) standard on RHS, optional on LHS
- Hot tops 3/8" (10mm) thick - standard on LHS, optional on RHS
- Sentry safety protection to open burners (add prefix T, i.e. ST286)
- Electric spark ignition (add suffix E i.e. S286E) requires single phase 115v, 60H, 240v, 50Hz electrical connection
- Additional oven rack
- Stainless steel backguard and plate shelf
- 17" (432mm) high stainless steel backguard
- Stainless steel main back
- Stainless steel stand with shelf for modular to range (Model S286T)
- 6" (152mm) stainless steel legs
- Casters

NOTE: Ranges supplied with casters must be installed with an approved restraining device.

Garland Commercial Industries, Inc.  
 185 East South Street  
 Freeland, Pennsylvania 18224  
 Phone: (570) 636-1000  
 Fax: (570) 636-3903

Garland Commercial Ranges Ltd  
 1177 Kamato Road, Mississauga, Ontario  
 L4W 1X4 CANADA  
 Phone: 905-624-0260  
 Fax: 905-624-5669

Enodis UK LTD  
 Swallowfield Way, Hayes, Middlesex  
 UB3 1DQ ENGLAND  
 Telephone: 081-561-0433  
 Fax: 081-848-0041

GARLAND® GAS

36" Starfire Sentry Series Range

Model: S286, S286T

Model: S286, S286T

36" Starfire Sentry Series Range

GARLAND® GAS



Item #: \_\_\_\_\_  
 Model: S286, S286T  
 Product Name: 36" Starfire Sentry Series Gas Range

Input Rating Per Burner (Natural Gas)								Operating Pressure			
Open*		Hot Top**		Griddle***		Oven Burners****		Natural		Propane	
BTU	kW	BTU	kW	BTU	kW	BTU	kW	"WC	mbar	"WC	mbar
24,000	7.03 ea	18,000	5.27	18,000	5.27	30,000	8.79	4.5	11.2	10.0	24.9

Gas input ratings shown for installations up to 2000 ft., (610m), above sea level. Please specify altitudes over 2000 ft.

Please specify gas type when ordering.

\* Two (2) burners per 12"(305mm) section, (rated at 20,000BTU/5.86kW with Propane)

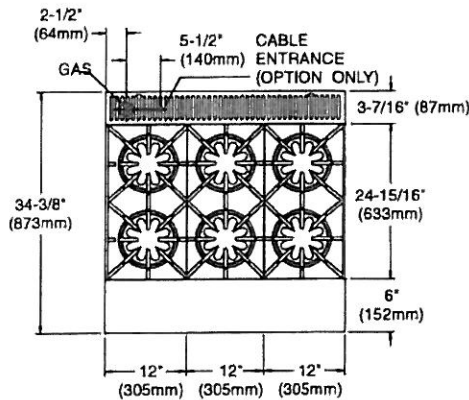
\*\* One (1) burner per optional 12"(305mm) section, (replaces 2 open burners); add suffix: -1, -2, or-3; Standard LHS

\*\*\* One (1) burner per 12" (305mm) of optional griddle width, (replaces 2 open burners); add suffix: -12G, 24G, or 36G;Standard RHS

\*\*\*\* Oven BTU inputs not applicable to modular units.

Oven Interior Dimensions (NA for Modular Units): in(mm)			Installation Clearances: in(mm)	
Height	Width	Depth	Sides	Rear
13-1/2 (343)	26-1/2 (667)	22 (559)	6 (152)	6" (152)

Model	Ship Wt Lb/Kg	Entry Clearances in(mm)	
		Crated	Uncrated
S286	535/243	46 (1168)	34(864)
S286RC	585/266	46(1168)	39 (991)
S286T	190/86	23-3/4 (603)	18-1/4 (464)



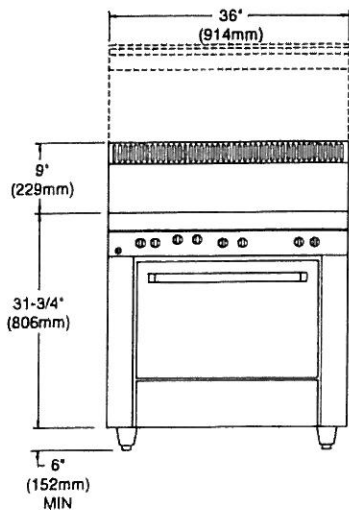
Model	Exterior Dimensions : in(mm)		
	Height	Width	Depth
S286	46-3/4 (1145)	36 (914)	33 (838)
S286T	17-3/4 (438)	36 (914)	33 (838)

Installation Notes: For RC oven add 5" (127mm) to overall depth.  
 Electric characteristics: 1/3HP, 120VAC, single phase, 3.4 Amps, (6 ft /1829mm power supply cord included)

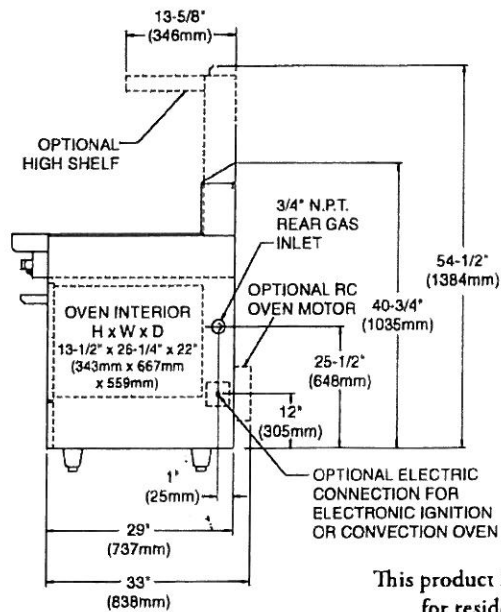
Suffix "E" models direct connection 120 Volt provided.

Equipment not installed to manufacturer's details or installed by unauthorized persons may void warranty.

NOTE: Installation clearance reductions are applicable only where local codes permit.



NOTE: NOT AVAILABLE FOR DAIS MOUNTING. DO NOT INSTALL OR MOUNT ON CURB OR DAIS BASE. INSUFFICIENT COMBUSTION AIR SUPPLY.



This product is not approved for residential use.

Continuous product improvement is a Garland policy.

Printed in USA

Specifications and design are subject to change without notice.

Form #S286 (05/05)